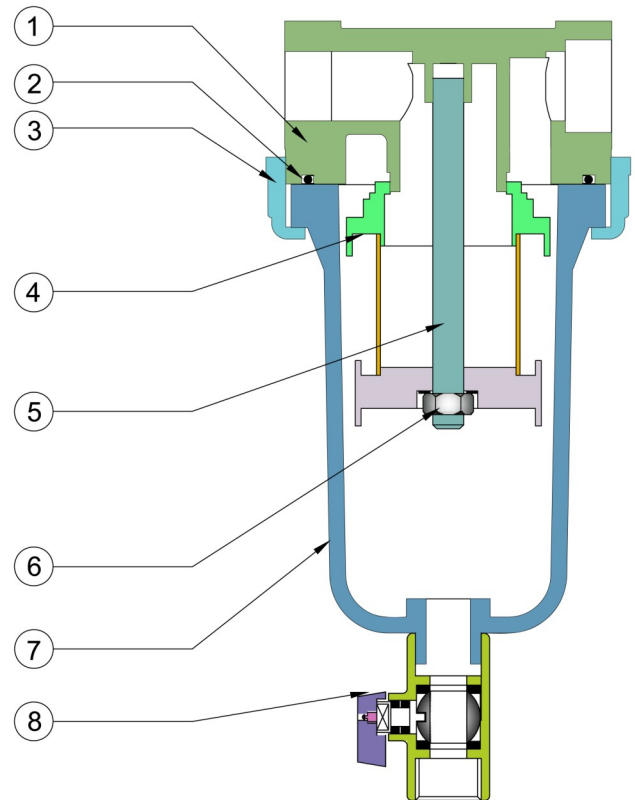
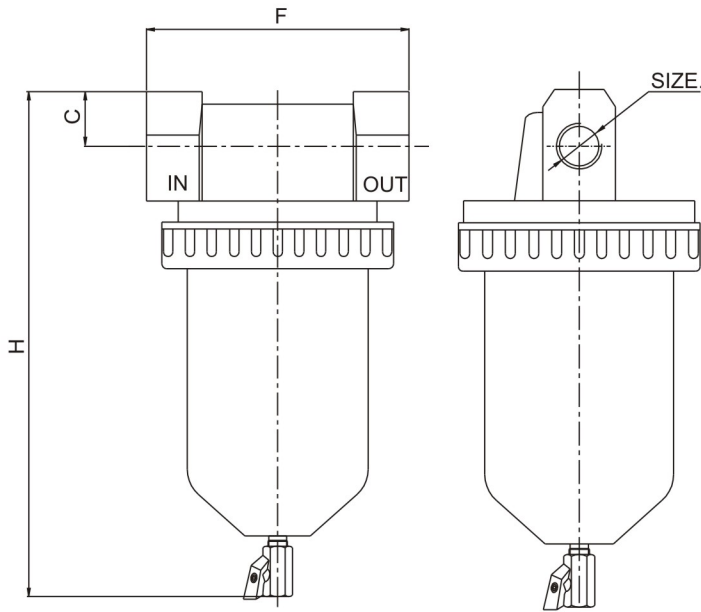


Model : HMR Oil Removal Filter



Technical Specifications:

Size	1/4" To 2"
Efficiency	99.99%
Installation	At End Use After Filter
Pressure	10 Kg/cm ²
Pressure Drop	1 PSI
Temperature	50°C
Precaution	Filter must be preceded by Pre-Filter of 5 to 25 micron for long service life



DIMENSIONS (Dimensions are in mm)

Model	Size (BSP)	H	F	C	FLOW SCFM	Weight (Kg) Approx
HMR-001	1/4"	193	85	18	19	0.790
HMR-002	3/8"	193	85	18	19	0.790
HMR-003	1/2"	193	85	18	19	0.790
HMR-004	3/4"	249	120	23	36	1.528
HMR-005	1"	249	120	23	64	1.475
HMR-006	1.1/2"	285	120	38	170	1.750
HMR-007	2"	285	120	38	300	1.840

No.	Item Name	Material
1	Body	Alu. Pres. Die Cast
2	Bowl 'O' Ring	NBR / Nitrile
3	Ring	Alu. Pres. Die Cast
4	Element	Std. Material
5	Stud	Steel Plated / Alluminium
6	Check Nut	Steel Plated
7	Bowl	Alu. Pres. Die Cast
8	Manual Drain Valve	Brass