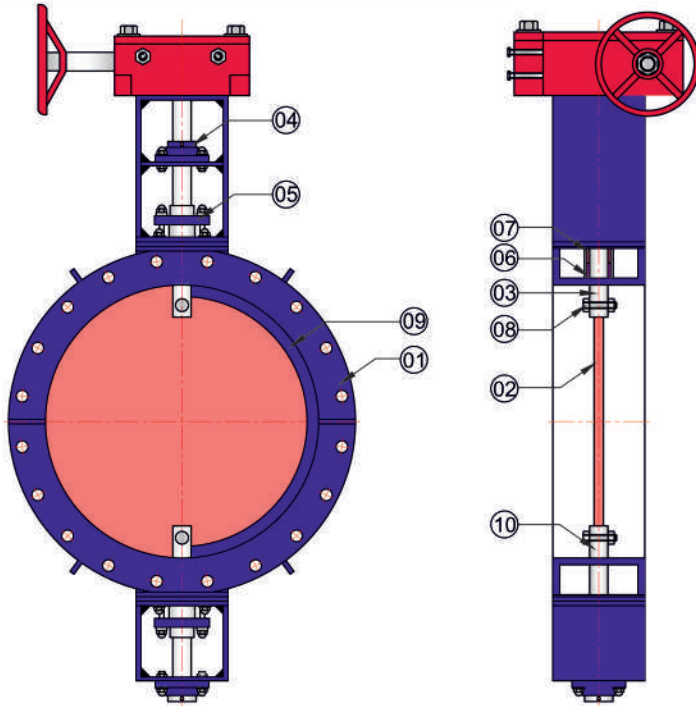


4Matic Gear Operated MS Fabricated Body With MS Fabricated Disc

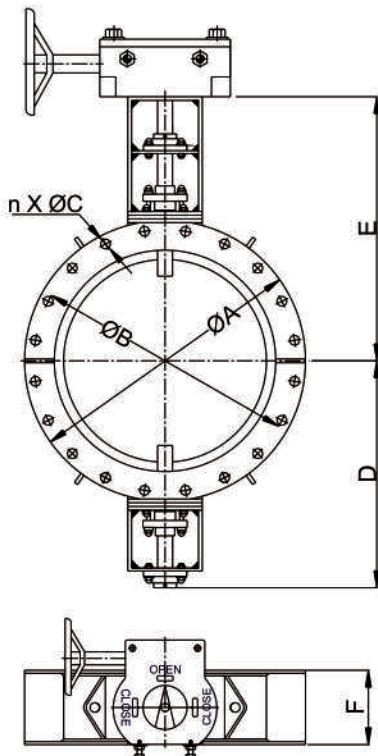
Size Range : 8" to 80"

PRESSURE / TEMPERATURE

WORKING RATING	5 KG/CM ²
TEMPERATURE	UPTO 1200 °C



No.	Description	Material	Qty.
1	Body	IS 2062 Gr. B	01
2	Disc	IS 2062 Gr. B	01
3	Shaft	AISI 410	01
4	Bearing	Standard	02
5	Gland Pata	IS 2062 Gr. B	02
6	Teflon Bush	Teflon	02
7	Graphite Ring	Graphite	02
8	Hex Bolt	S.S. 202 / S.S. 304	02
9	Seat Ring	IS 2062 Gr. B	02
10	Bottom Shaft	AISI 410	01



Dimensions :

(All Dimensions are in mm)

Valve Model	Valve Size		ØA	ØB	n	ØC	D	E	F
	MM	Inch							
AFT-MS-G-200	200	8"	320	280	8	18	340	440	150
AFT-MS-G-250	250	10"	375	335	12	18	366	466	150
AFT-MS-G-300	300	12"	440	395	12	22	398	498	150
AFT-MS-G-350	350	14"	490	445	16	22	450	550	150
AFT-MS-G-400	400	16"	540	495	16	22	450	550	150
AFT-MS-G-450	450	18"	595	550	16	22	478	578	150
AFT-MS-G-500	500	20"	645	600	20	22	502	602	200
AFT-MS-G-550	550	22"	749	692	20	22	610	710	200
AFT-MS-G-600	600	24"	755	705	20	26	610	710	200
AFT-MS-G-650	650	26"	785	744	20	26	635	735	200
AFT-MS-G-700	700	28"	860	810	24	26	610	710	200
AFT-MS-G-750	750	30"	887	846	24	26	633	723	200
AFT-MS-G-800	800	32"	975	920	24	30	678	768	200
AFT-MS-G-850	850	34"	1005	957	24	30	692	782	200
AFT-MS-G-900	900	36"	1075	1020	24	30	728	818	250
AFT-MS-G-1000	1000	40"	1175	1120	28	30	778	868	250
AFT-MS-G-1100	1100	44"	1276	1222	32	33	948	1038	250
AFT-MS-G-1200	1200	48"	1405	1340	32	33	1022	1112	250
AFT-MS-G-1400	1400	56"	1630	1560	36	36	1025	1095	300
AFT-MS-G-1600	1600	64"	1830	1760	40	36	1125	1195	300
AFT-MS-G-1800	1800	72"	2045	1970	44	39	1252	1302	300
AFT-MS-G-2000	2000	80"	2265	2180	48	42	1462	1562	300

Size Upto 3000 MM On Request