

4Matic Gear Operated MS Fabricated Double Flange Butterfly Valve Construction engineered for multiply ON / OFF Operation in the large Pipe line and full flow down Stream.

Size Range : 50" to 104" (12" to 48" On Request)

Standard

Design And Manufacturing	AWWA C - 504
Valve Face to Face Dimension Upto 72"	AWWA C - 504
Valve Face to Face Dimension Upto 72"	As Per Manufacturer Standard
Flange Standard Conformity	AWWA C - 207 Class "D"
Inspection & Testing	AWWA C - 504
Rating	PN 6 / PN 10



609 - 0055

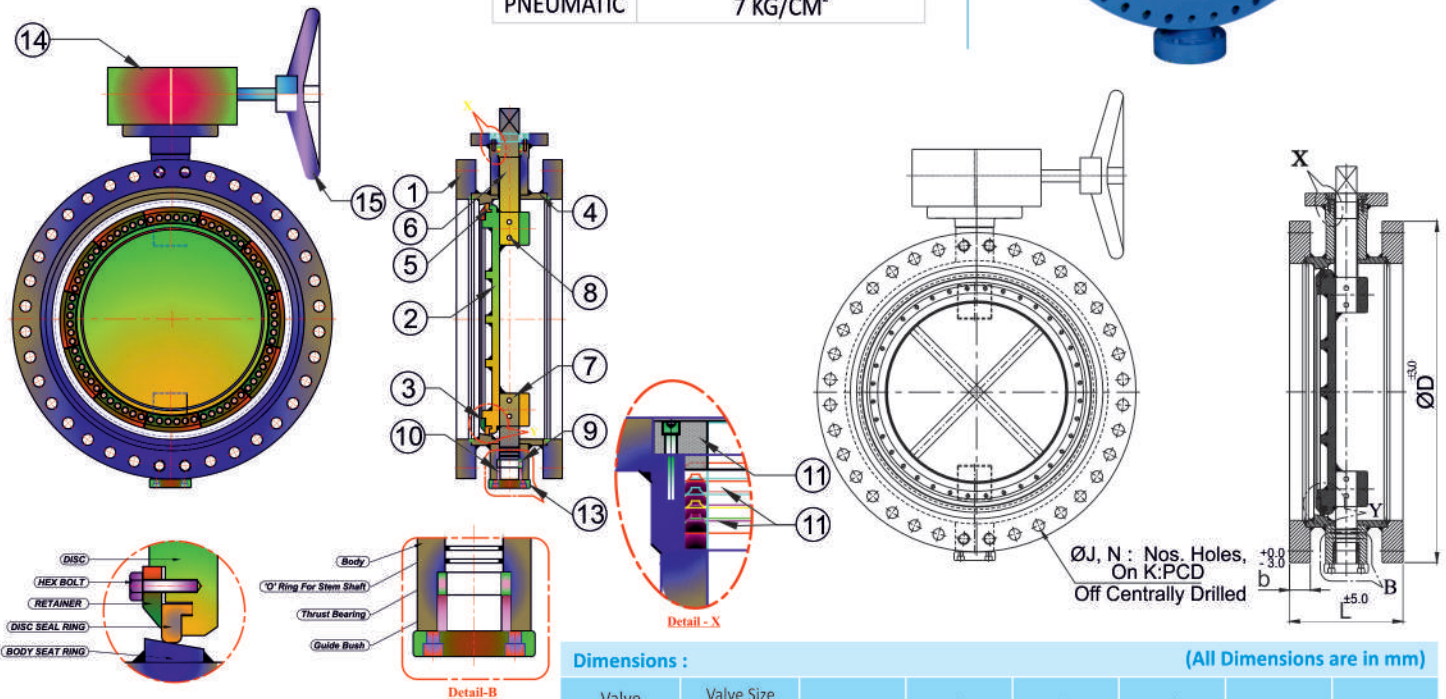


PRESSURE / TEMPERATURE RATING

PRESSURE RATING	PN 10
OPERATING TEMPERATURE	180 °C

PRESSURE / TEMPERATURE RATING

TESTING	BODY	SEAT
HYDRAULIC	16 KG/CM ²	10 KG/CM ²
PNEUMATIC	7 KG/CM ²	



Dimensions :

(All Dimensions are in mm)

No.	Description	Material	Valve Size		L	ØD	b	ØJ	N	K:PCD
			MM	Inch						
1	Body	IS 2062 Gr. B M. S.	1250	50"	381	1568.5	51.00	44.45	44	1479.6
2	Disc	IS 2062 Gr. B M. S.	1300	52"	381	1626.0	51.00	44.45	44	1536.7
3	Retainer	IS 2062 Gr. B / ASTM A - 240 S.S. 304 / 316	1350	54"	381	1682.8	54.00	44.45	44	1593.8
4	Body Seat Ring	ASTM A - 479 Type 304 / 316	1400	56"	381	1770.0	57.15	44.45	52	1670.0
5	Disc Seal Ring	EPDM / NBR / Viton	1500	60"	381	1854.2	57.15	44.45	52	1758.95
6	Shaft	ASTM A - 479 Type 410 / 304 / 316	1600	64"	381	1915.0	60.00	44.45	52	1820.0
7	Stem Shaft	ASTM A - 479 Type 410 / 304 / 316	1650	66"	457	2032.0	63.5	44.45	52	1930.4
8	Disc Pin	ASTM A - 479 Type 410 / 304 / 316	1800	72"	457	2197.1	66.5	44.45	60	2095.5
9	Bearing	Double Thrust Bearing	1950	78"	760	2362.2	69.9	50.8	64	2260.6
10	Guide Bush	Bronze	2000	80"	760	2449.0	70.00	50.8	64	2342.0
11	Seal Set	EPDM / NBR / Viton	2100	84"	830	2533.7	73.00	50.8	64	2425.7
12	Gland Plate	M. S.	2200	88"	830	2800.0	77.00	58.0	68	2673.5
13	Stem Plate	IS 2062 Gr. B	2400	96"	910	2876.6	82.6	58.0	68	2755.9
14	Gear	Standard	2500	100"	990	3048.0	82.6	63.5	72	2908.3
15	Wheel	M. S.	2600	104"	990	3138.0	86.00	63.5	72	2994